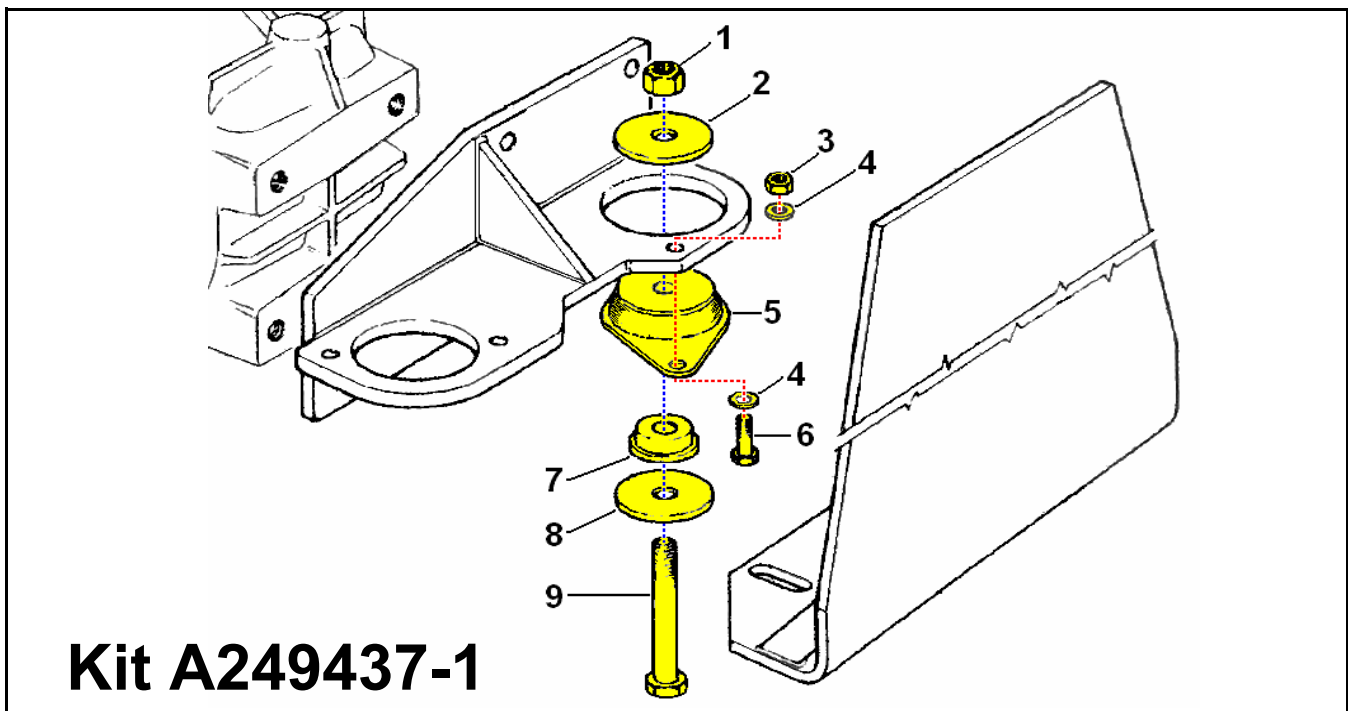
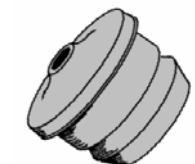


AQUATECH
PARTS BULLETIN

The parts breakdowns for the OMSI split shaft PTOs list the Silent Blok™ mounts and related hardware separately. There is a kit available that includes all these items. The kit is part number A249437-1 and contains all the items listed on the chart below. This kit fits our OMSI PTOs since the mid-90s. Earlier models used a part number A161149 Rubber Mount.



ITEM	QTY.	PART NO.	DESCRIPTION
1.	1	A164504	16mm Nut
2.	1	A164497	16mm Washer (60mm O.D.)
3.	2	A164499	10mm Nut
4.	4	A164501	10mm Washer
5.	1	A164500	Silent Blok™ Isolator
6.	2	A164403	10mm X 30mm Bolt
7.	1	A164502	Centering Bushing
8.	1	A164503	16mm Washer (65mm O.D.)
9.	1	A164496	16mm X 110mm Bolt



A161149
(older models)