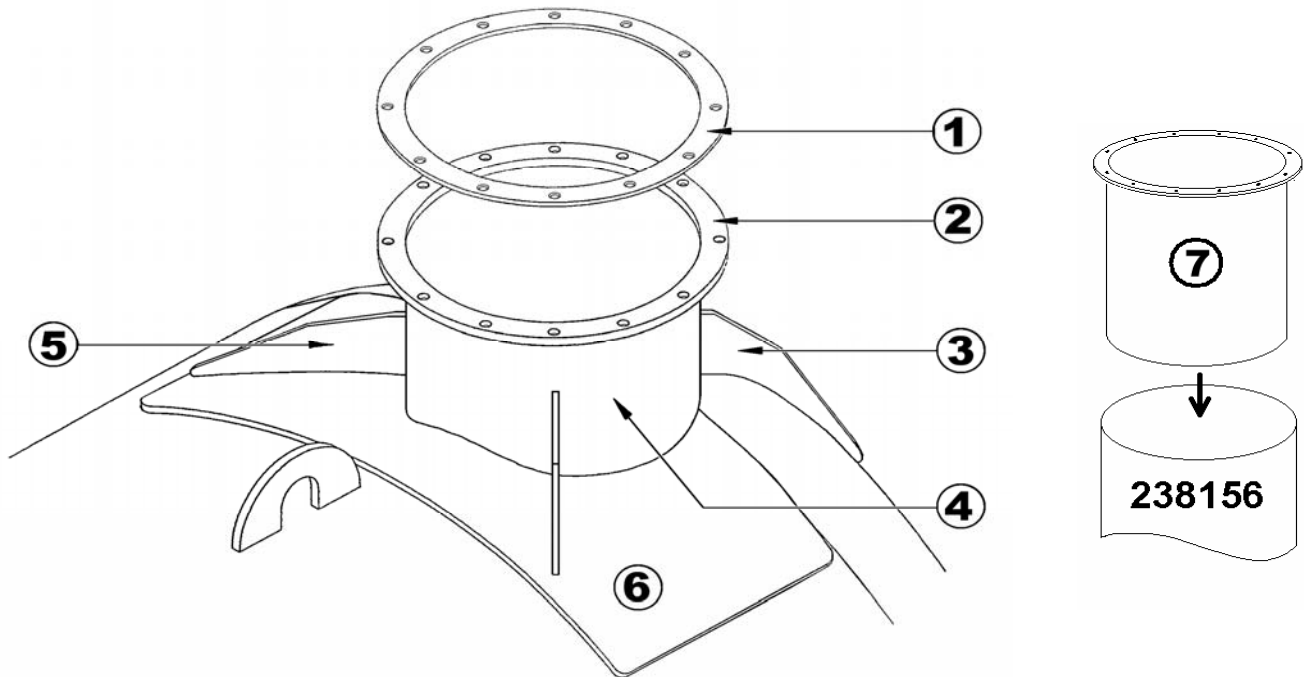


AQUATECH

PARTS BULLETIN

This is an informational bulletin providing supplemental parts information for our B-Series boom turret mounts.



ITEM #	PART NUMBER	DESCRIPTION	QTY.
1	A190870	Gasket, Boom Mounting (Tank Flange), 12 hole, Standard	1
	A380270	Gasket, Boom Mounting (Tank Flange), 24 hole, High Capacity	1
2	A234656	Mounting Flange Only, Standard models (12 Holes)	1
	A234656HC	Mounting Flange Only, High Capacity models (24 Holes) *	1
2 & 4	A242304	Welded Mount Assembly, Standard models (12 hole flange)	1
	A338513	Welded Mount Assembly, High Capacity models (24 hole flange)	1
3	A239800	Boom Mount Front Gusset (<i>except B15 models</i>)	2
4	A238156	Boom Mount Tube (7 ga. Steel), Standard models	1
	A338512	Boom Mount Tube (3/8" Steel), High Capacity models	1
5	A239630	Boom Mount Rear Gusset (<i>4 used on B15 models</i>)	2
6	A238185	Boom Mount Support Plate (<i>except B15 models</i>)	1
	A242869	Boom Mount Support Plate (<i>B15 models</i>)	1
7	A242304HC	Standard portal tube to high capacity portal conversion insert	1

*Do not use for converting from standard to high capacity, use item 7 after cutting off the 12 hole flange.