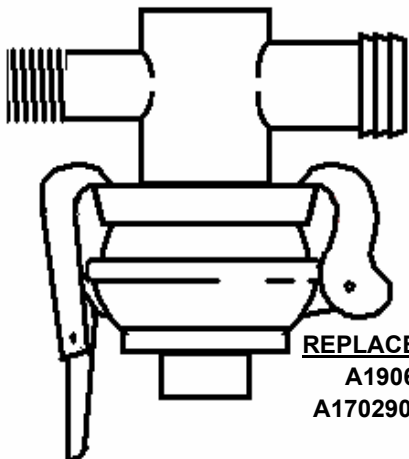



AQUATECH

PARTS BULLETIN

Inline water strainer part number A235233 is obsolete and will have to be retrofitted with a part number A131098. The A131098 strainer was listed as obsolete when we bought Aquatech in 1999, but we recently found a source for them and have reinstated this part. These both were primarily used on older SJ300 and SJ600 trailer jetters, however, they may have been used on other models. Earlier this year we encountered an A131098 on a water manifold on a B-3 (pictured below). The drawing of the A235233 is not an exact representation of the original filter, as we do not have any photos or drawings of it. A part number A141010 1½" Close Nipple and a part number A140145 1½"MNPT x 2" Hose King Nipple will also be required for the retrofit.

 <p>REPLACEMENT PARTS A190620 O-Ring A170290 Cap w/Chain</p> <p>A235233 Fabricated Metal Strainer 1½"MNPT to 2" Hose Barb</p>	 <p>REPLACEMENT PARTS A131103 Body (Top) A131096 Screen A131089 Gasket A131097 Bowl</p> <p>A131098 Purchased Plastic Strainer 1½"FNPT to 1½"FNPT</p>
---	---



A131098 as used on an early model B-3

Photo submitted by Butch Patney with W. E. Timmerman Co.