

AQUATECH[®]

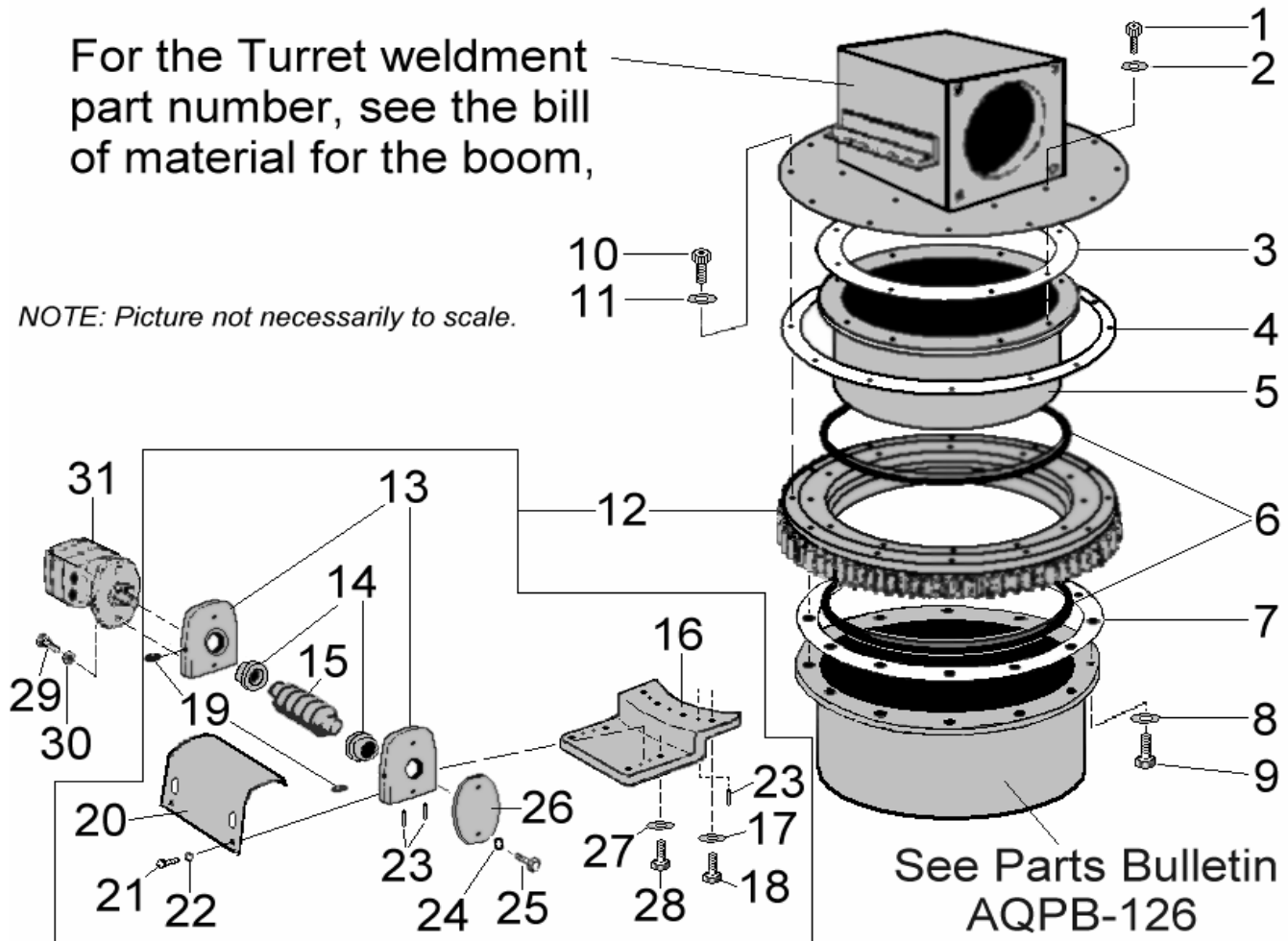
PARTS BULLETIN

8" Boom Turret Bearing Parts List

For your convenience, here is a breakdown of our 8" boom turret bearing installation. To ensure proper clearances and life expectancy, the ring gear/outer race and inner race are sold only as an assembly with the worm gear assembly attached.

For the Turret weldment part number, see the bill of material for the boom,

NOTE: Picture not necessarily to scale.



The parts list is found on the following page. When replacing the worm gear support brackets (item 13) the 5/16" diameter holes for the spring pins must be drilled. The procedure is to install the bolts loose, adjust the clearance between the worm gear and ring gear to a .007" to .009" backlash, tighten the bolts and then drill the holes using the holes in the worm mounting bracket (item 16) as a guide template.

8" Boom Turret Bearing Parts List

ITEM	DESCRIPTION	STANDARD	QTY	HIGH CAPACITY	QTY
1	3/8"-24 x 1-1/4" Socket Head Cap Screw	A104571	8	A104571	4
2	3/8" Lock Washer	A107294	8	A107294	4
3	Thimble To Turret Housing Gasket (12 hole)	A192014	1	A192014	1
4	Turret Housing to Bearing Gasket	A192009 (12 hole)	1	A380271 (24 hole)	1
5	Thimble	A241118	1	A241118	1
6	Thimble Seal	A191617	2	A191617	2
7	Bearing to Mounting Flange Gasket	A190870 (12 hole)	1	A380270 (24 hole)	1
8	1/2" Lock Washer GR8	A107298	12		
	3/4" Lock Washer GR8			A107304	24
9	1/2" x 1-3/8" Socket Head Cap Screw	A105138	12		
	3/4" x 2-1/4" Socket Head Cap Screw			A380265	24
10	7/16"-14 x 2-1/4" Socket Head Cap Screw	A104844	12		
	5/8"-11 x 2-1/4" Socket Head Cap Screw			A380266	24
11	7/16" Lock Washer	A104296	12		
	5/8" Lock Washer			A107302	24
12	Turret Bearing Assy. (includes 13 through 28)	A241090	1	A241090HC	1
13	Worm Gear Support Bracket	A240556	2	A240556	2
14	Worm Gear Bearing	A240571	2	A240571	2
15	Worm Gear	A240555	1	A240555	1
16	Worm Gear Mounting Bracket	A240558	1	A240558HC	1
17	1/2" Lock Washer GR8	A107298	4	A107298	4
18	1/2"-13 x 1-3/4" Hex Head Cap Screw GR8	A105182	4	A105182	4
19	Grease Zerk	A222286	2	A222286	2
20	Worm Gear Cover	A240557	1	A240557	1
21	1/4"-20 x 1/2" Hex Head Cap Screw	A103556	2	A103556	2
22	1/4" Lock Washer	A107290	2	A107290	2
23	5/16" x 1-3/8" Spring Pin	A107284	7	A107284	7
24	3/8" Lock Washer	A107294	2	A107294	2
25	3/8"-16 x 1-1/4" Hex Head Cap Screw	A104438	2	A104438	2
26	Bearing Cover	A240572	1	A240572	1
27	7/16" Lock Washer	A104296	4	A104296	4
28	7/16"-14 x 1-1/4" Hex Head Cap Screw	A104829	4	A104829	4
29	3/8"-16 x 1-1/4" Hex Head Cap Screw	A104438	2	A104438	2
30	3/8" Lock Washer	A107294	2	A107294	2
31	Hydraulic Motor	A110186	1	A110186	1