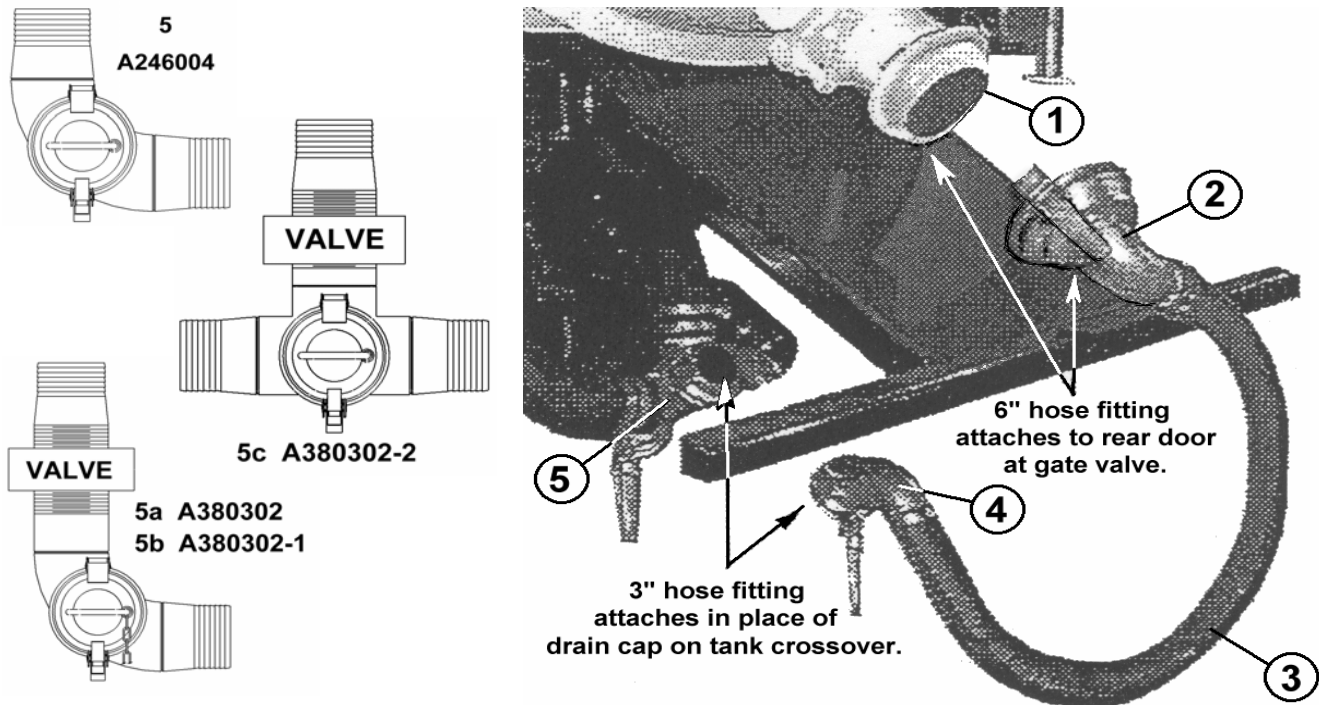


AQUATECH[®]

PARTS BULLETIN

This bulletin is being released to supplement the information in the parts manual on the Water Tank Interconnect option which allows additional water for jetting (or street flushing, if so equipped) to be carried inside the debris tank.



SERVICE COMPONENTS

ITEM	PART NUMBER	DESCRIPTION
1	A170375	6"MNPT to Aquatech Male Coupler
n.i.	A190760	6" Coupler O-Ring used with A170375
2	A245631	6" Female Coupler to 3" 90° hose shank
3	A176470	3" Rubber Hose (6' required)
4	A171665	3" Female Coupler to 3" 90° hose shank
n.i.	A190630	3" Coupler O-Ring used with A171665
2, 3 & 4	A238230	Tank Interconnect Hose Assembly
5	A246004	Standard 4" Drain Weldment
5a	A380302	4" Drain Weldment with A150725 4" Gate Valve
5b	A380302-1	4" Drain Weldment with A382599 4" Ball Valve
5c	A380302-2	4" Drain Weldment with A150725 4" Gate Valve
n.i.	U4607-0235	T-Bolt Clamp for 4" Hose