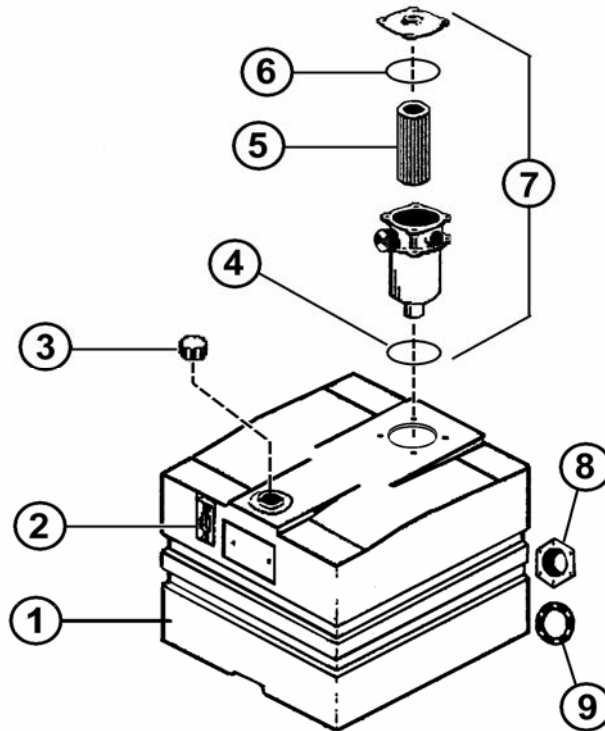


AQUATECH PARTS BULLETIN

For your convenience, here is a parts listing for the 35 gallon hydraulic reservoir found on most late model B-Series jet-vacs.



A110000 POLY HYDRAULIC RESERVOIR

ITEM	PART NUMBER	DESCRIPTION
1	A110000	Reservoir Assembly (includes 2 thru 9)
2	A110000-5	Oil Level / Temp Gauge
3	A110000-1	Filler / Breather Cap
4	A110000-8	O-Ring, Filter Housing to Tank
5	A110000-3	Filter Element
6	A110000-7	O-Ring, Filter Housing Lid Seal
7	A110000-2	Return Filter Assembly (includes 4 thru 6)
8	A110000-6	Flanged Pipe Adapter
9	A110000-4	Flange Gasket

Use AW68 hydraulic oil for top off or refill.