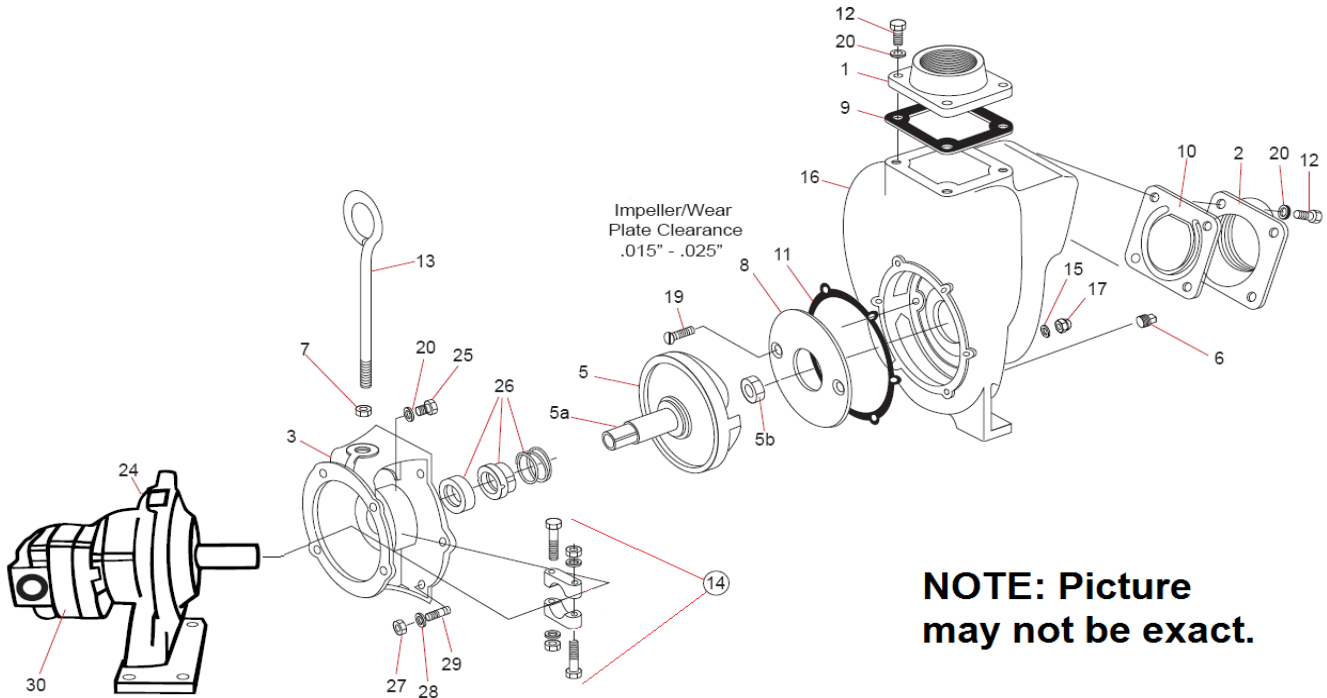


CAST IRON CENTRIFUGAL PUMPS

For your convenience, here is a parts listing for the centrifugal pumps we use to decant the debris tanks on units equipped with an optional pump-off system.



**NOTE: Picture
may not be exact.**

ITEM NO.	PART DESCRIPTION	FLOMAX 8 2" - 140 GPM	FLOMAX 10 2" - 210 GPM	FLOMAX 15 3" - 300 GPM
ASSY	Pump Assembly with Hydraulic Motor	A382718	A381610	A383068
ASSY	Pump Assembly w/o Hydraulic Motor	--	A381609	A381702
ASSY	Pump Assembly with Electric Clutch	--	--	A216422
1	Outlet Flange	A382718-22311	TBA	TBA
2	Inlet Flange	TBA	A216421-3	TBA
5	Impeller & Shaft	TBA	A216422-23038	A216422-23038
8	Steel Wear Plate	TBA	A216422-22376	A216422-22376
9	Outlet Flange Gasket - BUNA	A382718-22256	A216422-22358	A216422-22358
10	Flapper Assembly - BUNA	TBA	A216421-23040	A216421-23040
11	Impeller Housing Gasket	TBA	A216421-4	A216421-4
14	Clamp Assembly	TBA	A216421-23039	A216421-23039
15	Annular Gasket	TBA	A216422-21271	A216422-21271
24	Pedestal Assembly for Hydraulic Motor	TBA	A216421-25772	A216421-25772
n.i.	Ball Bearings for Pedestal	TBA	A216422-25474 (2)	A216422-25474 (2)
26	Seal Assembly, Viton	TBA	A216421-2	A216421-2
30	Hydraulic Motor	TBA	A381608	A381608

NOTE: For item numbers that are not shown, the part number is TBA (To Be Announced)