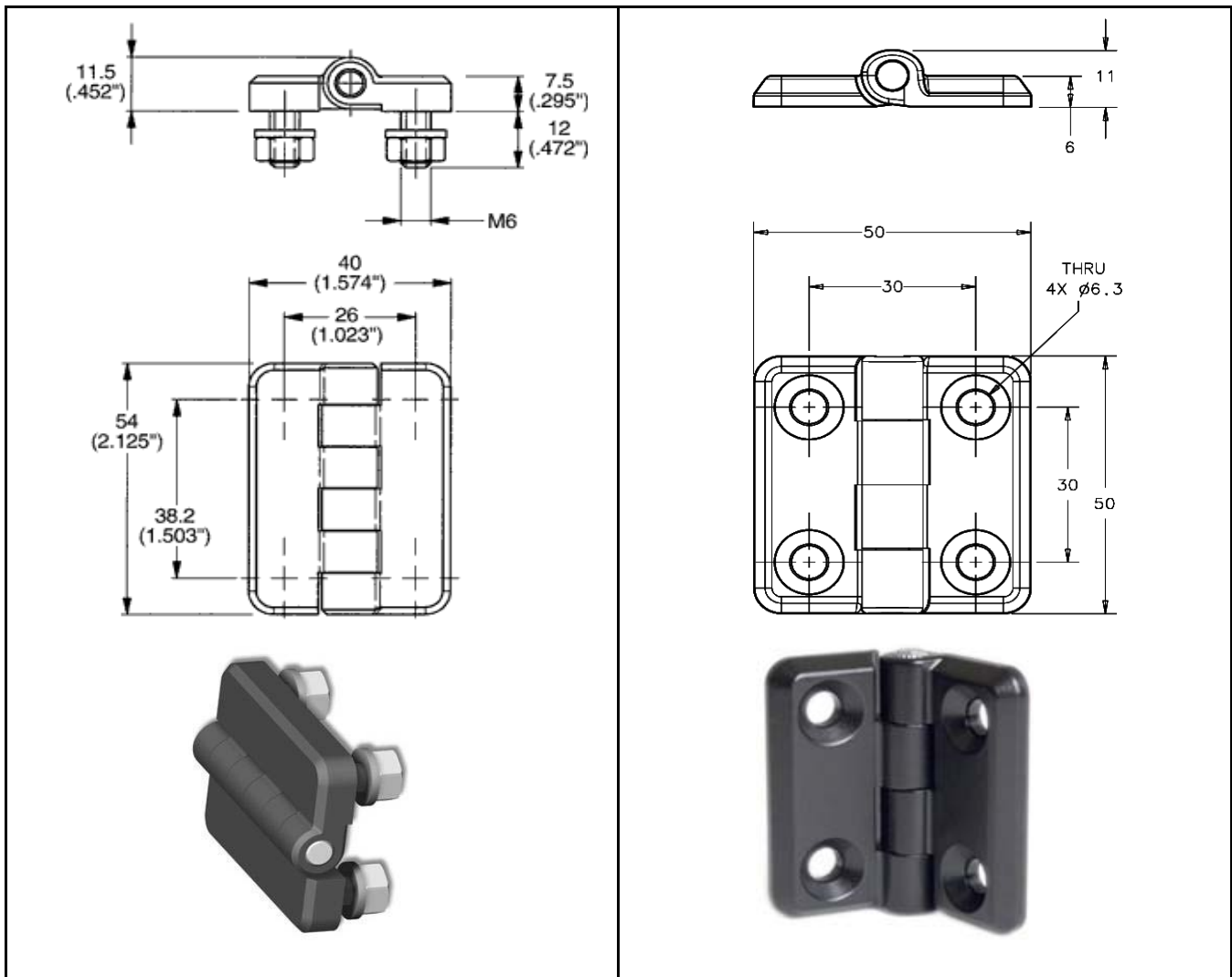


ENGINE ACCESS DOOR HINGES

In early 2009 we made a change in the hinges we use for the engine doghouse access doors found on our O'Brien trailer jetties. The former hinges were prone to having the hinge pin break loose and walk out due to vibrations cause by road travel and jetting operations. However, the new hinge will not retrofit the older hinge due to the bolt spacing being different (38.2mm versus 30mm), unless the customer is willing to redrill the door. Here are pictures and dimensions to help you identify which hinge you need to order.



OLD 321644 HINGE

Shim for 321644: OBJ-2501S

NEW OBJ-2741 HINGE

Shim for OBJ-2741: OBJ-2740